

# Sigenergy Energy Controllers voluntary recall – affected approved inverters and batteries

On 19 November 2025, the ACCC [published a voluntary recall](#) of Sigenergy single phase 8/10/12kW Energy Controllers with quick connect AC plugs (requiring ferrules and crimping).

To help resolve the issue, Sigenergy submitted a component change request to the Clean Energy Council with a new OT terminal-style AC connection design for all affected CEC listed products. This component change was approved.

**The voluntary recall only affects the models listed below with the quick connect AC plug components requiring ferrules and crimping.**

[More information can be found here](#)

## Inverter models

- Sigen Hybrid 10.0 SP AU (AS4777-2 2020)
- Sigen Hybrid 12.0 SP AU (AS4777-2 2020)
- Sigen Hybrid 8.0 SP AU (AS4777-2 2020)
- SigenStor EC 10.0 SP AU (AS4777-2 2020)
- SigenStor EC 12.0 SP AU (AS4777-2 2020)
- SigenStor EC 8.0 SP AU (AS4777-2 2020)

## Battery inverter models

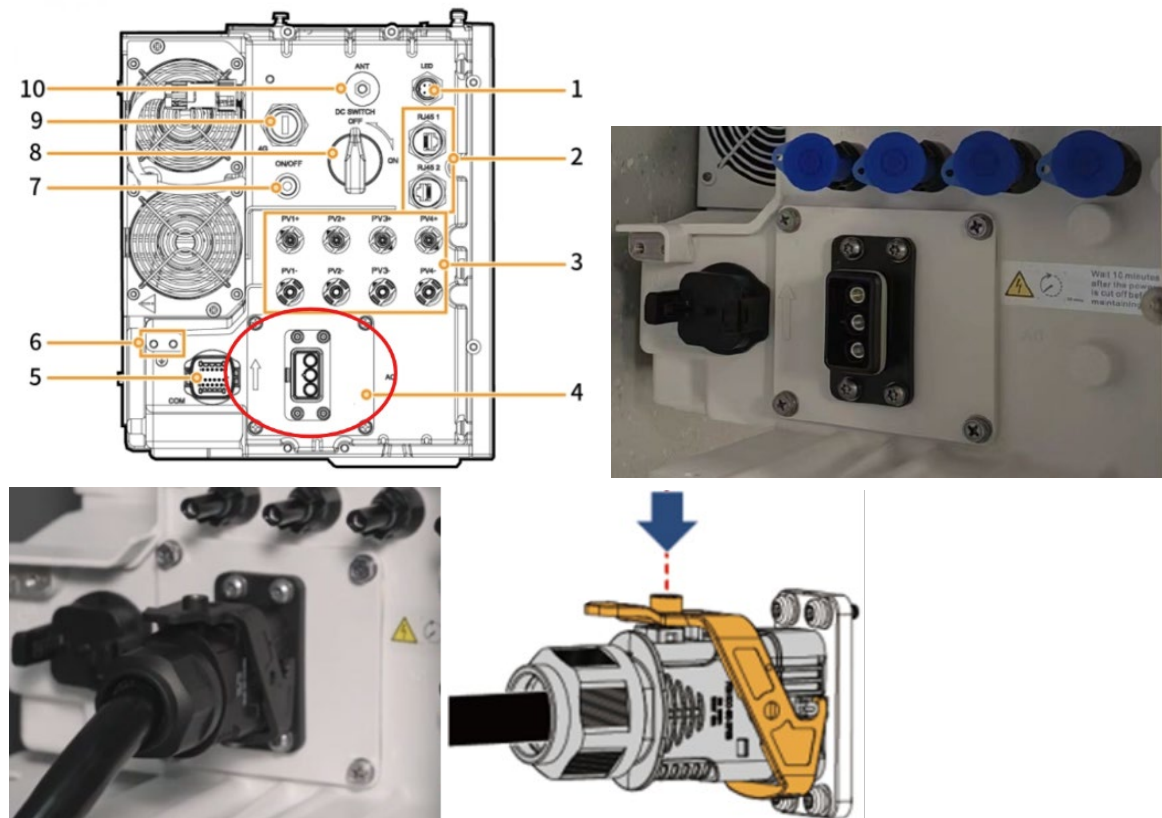
- SigenStor-10S-10 (AS4777-2 2020)
- SigenStor-10S-13 (AS4777-2 2020)
- SigenStor-10S-16 (AS4777-2 2020)
- SigenStor-10S-24 (AS4777-2 2020)
- SigenStor-10S-32 (AS4777-2 2020)
- SigenStor-10S-40 (AS4777-2 2020)
- SigenStor-10S-48 (AS4777-2 2020)
- SigenStor-10S-8 (AS4777-2 2020)
- SigenStor-10S-EV12-10 (AS4777-2 2020)
- SigenStor-10S-EV12-16 (AS4777-2 2020)
- SigenStor-10S-EV12-24 (AS4777-2 2020)
- SigenStor-10S-EV12-32 (AS4777-2 2020)
- SigenStor-10S-EV12-40 (AS4777-2 2020)
- SigenStor-10S-EV12-8 (AS4777-2 2020)
- SigenStor-10S-EV25-10 (AS4777-2 2020)
- SigenStor-10S-EV25-16 (AS4777-2 2020)
- SigenStor-10S-EV25-24 (AS4777-2 2020)
- SigenStor-10S-EV25-32 (AS4777-2 2020)
- SigenStor-10S-EV25-40 (AS4777-2 2020)
- SigenStor-10S-EV25-8 (AS4777-2 2020)
- SigenStor-12S-10 (AS4777-2 2020)
- SigenStor-12S-13 (AS4777-2 2020)
- SigenStor-12S-16 (AS4777-2 2020)
- SigenStor-12S-24 (AS4777-2 2020)
- SigenStor-12S-32 (AS4777-2 2020)
- SigenStor-12S-40 (AS4777-2 2020)
- SigenStor-12S-48 (AS4777-2 2020)
- SigenStor-12S-8 (AS4777-2 2020)
- SigenStor-12S-EV12-10 (AS4777-2 2020)
- SigenStor-12S-EV12-16 (AS4777-2 2020)
- SigenStor-12S-EV12-24 (AS4777-2 2020)
- SigenStor-12S-EV12-32 (AS4777-2 2020)
- SigenStor-12S-EV12-40 (AS4777-2 2020)
- SigenStor-12S-EV12-8 (AS4777-2 2020)
- SigenStor-12S-EV25-10 (AS4777-2 2020)
- SigenStor-12S-EV25-16 (AS4777-2 2020)
- SigenStor-12S-EV25-24 (AS4777-2 2020)
- SigenStor-12S-EV25-32 (AS4777-2 2020)
- SigenStor-12S-EV25-49 (AS4777-2 2020)
- SigenStor-12S-EV25-8 (AS4777-2 2020)
- SigenStor-12S-EV25-10 (AS4777-2 2020)
- SigenStor-12S-EV25-16 (AS4777-2 2020)
- SigenStor-12S-EV25-24 (AS4777-2 2020)
- SigenStor-12S-EV25-32 (AS4777-2 2020)
- SigenStor-12S-EV25-40 (AS4777-2 2020)
- SigenStor-12S-EV25-8 (AS4777-2 2020)
- SigenStor-8S-10 (AS4777-2 2020)
- SigenStor-8S-13 (AS4777-2 2020)
- SigenStor-8S-16 (AS4777-2 2020)
- SigenStor-8S-24 (AS4777-2 2020)
- SigenStor-8S-32 (AS4777-2 2020)
- SigenStor-8S-40 (AS4777-2 2020)
- SigenStor-8S-48 (AS4777-2 2020)
- SigenStor-8S-8 (AS4777-2 2020)
- SigenStor-8S-EV12-10 (AS4777-2 2020)
- SigenStor-8S-EV12-16 (AS4777-2 2020)
- SigenStor-8S-EV12-24 (AS4777-2 2020)
- SigenStor-8S-EV12-32 (AS4777-2 2020)
- SigenStor-8S-EV12-40 (AS4777-2 2020)
- SigenStor-8S-EV12-8 (AS4777-2 2020)
- SigenStor-8S-EV25-10 (AS4777-2 2020)
- SigenStor-8S-EV25-16 (AS4777-2 2020)
- SigenStor-8S-EV25-24 (AS4777-2 2020)
- SigenStor-8S-EV25-32 (AS4777-2 2020)
- SigenStor-8S-EV25-49 (AS4777-2 2020)
- SigenStor-8S-EV25-8 (AS4777-2 2020)

## How to identify which model is recalled

The affected units can be identified by one of the following model numbers and the type of AC connection on the left side of the inverter.

- Sigen Hybrid 10.0 SP AU
- Sigen Hybrid 12.0 SP AU
- Sigen Hybrid 8.0 SP AU
- SigenStor EC 10.0 SP AU
- SigenStor EC 12.0 SP AU
- SigenStor EC 8.0 SP AU

The quick-connect AC plugs (requiring ferrules and crimping) on recalled models look like this:



The new models with OT terminal-style AC connections look like this:

